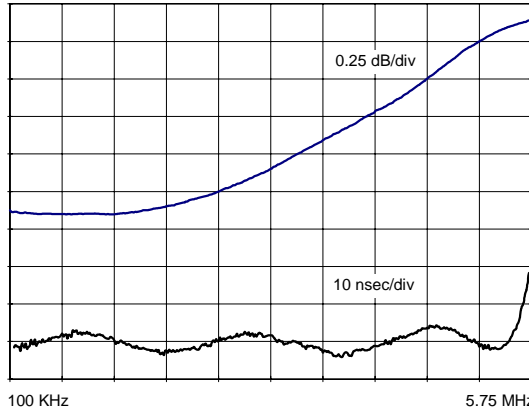


Lowpass Filter

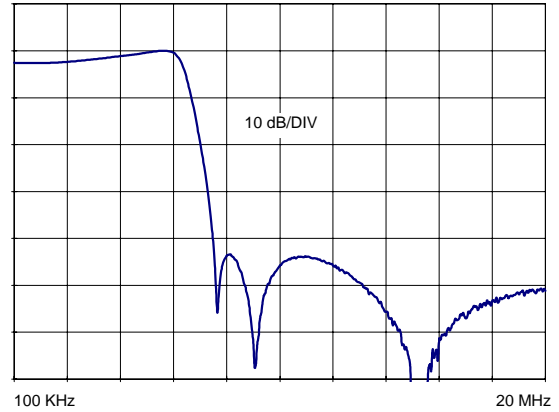
**KR Model
XL1-575-1350-S**

Model XL1-575-1350-S is a low cost video filter with Sin(x)/x correction.

Passband Amplitude & Group Delay



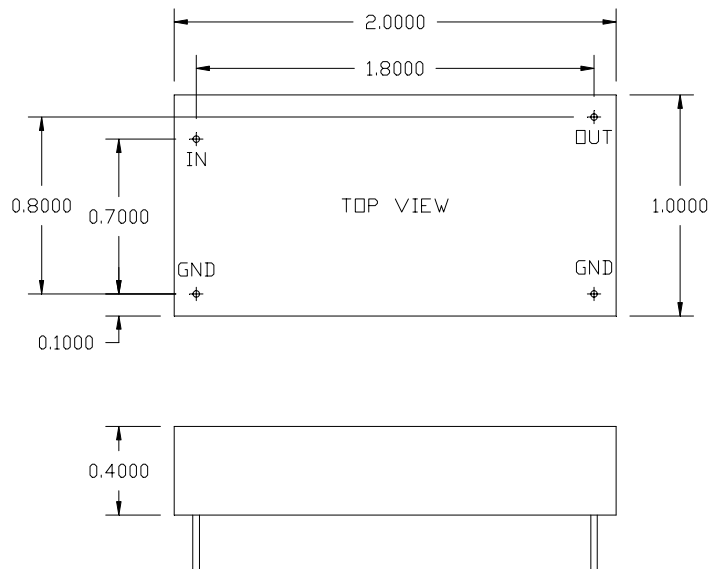
Overall Amplitude



Specifications

KR Part Number	XL1-575-1350-S
Filter Type	Video Lowpass
Insertion Loss	< 5 dB
End of Passband	5.75 MHz
Passband Ripple	< 0.35 dB
Start of Stopband	7.6 MHz
Stopband Attenuation	> 40 dB
Group Delay Ripple	< 15 nsec
Group Delay Control to	5.6 MHz
Approximate Group Delay	500 nsec
Source and Load Impedance	75 Ω
Sampling Frequency	13.5 MHz

Outline Drawing



Epoxy Package
All leads .030" diameter
All Dimensions Shown in inches

KR Electronics
www.krfilters.com
91 Avenel Street
Avenel, NJ 07001
732-636-1900